

Comprehensive Stability Chamber (Triple case)

Labonco-GS/CGS series three chamber comprehensive medicine stability tester, GS series three chamber independent control of temperature and humidity, CGS series A box is a light box, meeting the requirements of the 2020 Pharmacopoeia, suitable for GMP and CGMP certified users.

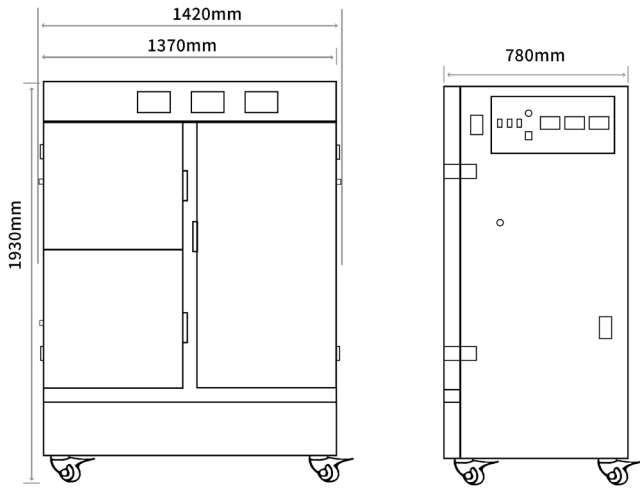
- ◆ Reference Standard: ICH2003、Chinese Pharmacopoeia 2020 edition;
- ◆ Insulation material: Overall high-density polyurethane foam technology, with good insulation and moisture retention performance;
- ◆ Chamber Materials: The exterior is coated with high quality steel plate, The liner is made of mirror stainless steel 304, no pollution source, easy to clean;
- ◆ Control system: Programmable color touch screen controller;
- ◆ Refrigeration system: Imported fully enclosed compressor;
- ◆ Humidity control: Original imported capacitive humidity sensor, high precision, low drift, long service life, maintenance free;
- ◆ Data management: configuring needle micro printers and electronic data storage functions;
- ◆ Safety device: Compressor overheat and overpressure overload protection, water shortage protection, dry burning protection system, independent overtemperature protection alarm system;
- ◆ Alarm system: On-site beeping alarm;
- ◆ Double Door Structure: Interior door tempered glass door, Open the outer door to observe the samples, The temperature and humidity inside the container will not change in a short time, The outer door is solid can keep temperature and humidity, It can also prevent the influence of external light;
- ◆ Other configurations: Test hole、Rubber plug、Mobile casters、Door lock;
- ◆ Controlling Temperature Precision: Temperature Fluctuation < ±0.5°C; Temperature Deviation < ±1.0°C (Without light) ;
- ◆ Controlling Humidity Precision: Humidity Fluctuation < ±2%RH; Humidity Deviation < ±3%RH (Without light) ;
- ◆ Power: AC220V±10% 50HZ;
- ◆ Environment Temperature: +5 ~ 35°C ;
- ◆ **Optional:** Temperature-humidity deviation, sudden power failure , control by Remote SMS alarm.



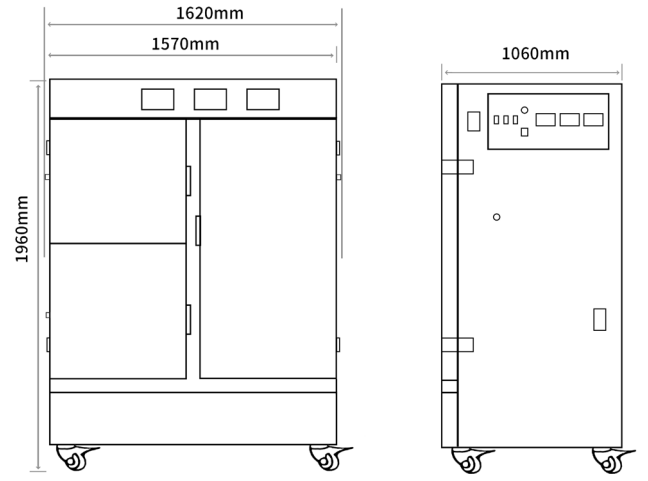
◆ 430GS~930GS

Model	Temperature Range (°C)	Humidity Range (RH)	Capacity (L)	Interior Dimensions(mm) W×D×H	External Dimensions(mm) W×D×H	Power (kW)	Shelf (Standard)	Chamber Structure	Remarks
Labonco-430GS	15 ~ 65	20 ~ 95%	100	480×420×500	1370×780×1930	3.5	1	Up Left	A(Temperature+Humidity) B(Temperature+Humidity) C(Temperature+Humidity)
			100	480×420×500			2	Down Left	
			230	480×420×1100			4	Right	
Labonco-930GS	20 ~ 95%	20 ~ 95%	220	600×700×520	1570×1060×1960	4.0	1	Up Left	
			220	600×700×520			2	Down Left	
			480	600×700×1140			4	Right	
Labonco-430CGS	15 ~ 65	N/A	100	480×420×500	1370×780×1930	3.5	1	Up Left	A(Temperature+Visible Light+UVA) B(Temperature+Humidity) C(Temperature+Humidity)
		20 ~ 95%	100	480×420×500			2	Down Left	
		20 ~ 95%	230	480×420×1100			4	Right	
Labonco-930CGS	15 ~ 65	N/A	220	600×700×520	1570×1060×1960	4.0	1	Up Left	
		20 ~ 95%	220	600×700×520			2	Down Left	
		20 ~ 95%	480	600×700×1140			4	Right	
Remarks	CGSseries: A chamber has three functions: temperature, visible light, and UVA . Illumination measurement is equipped with visible light and UVA sensors as standard, and both visible light and UVA values are automatically printed and stored; Visible light range: 100-6000Lux, illumination deviation: 4500 ± 500Lux; The total illumination of the lighting test shall not be less than 1.2 × 10 ⁶ Lux · hr; UVA range: 0.84-1.0 w/ m ² , with a total UVA energy of no less than 200w · hr/ m ² ; When there is no light, the temperature and humidity indicators are the same as GS.								

All indicators on this color page were measured at an ambient temperature of 20~25°C .



◆ 430GS



◆ 930GS

